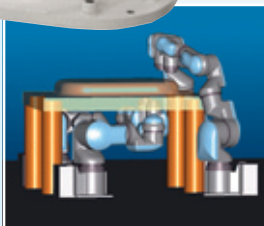
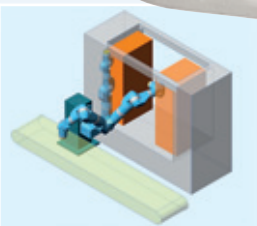
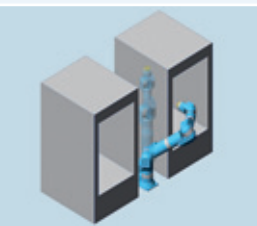
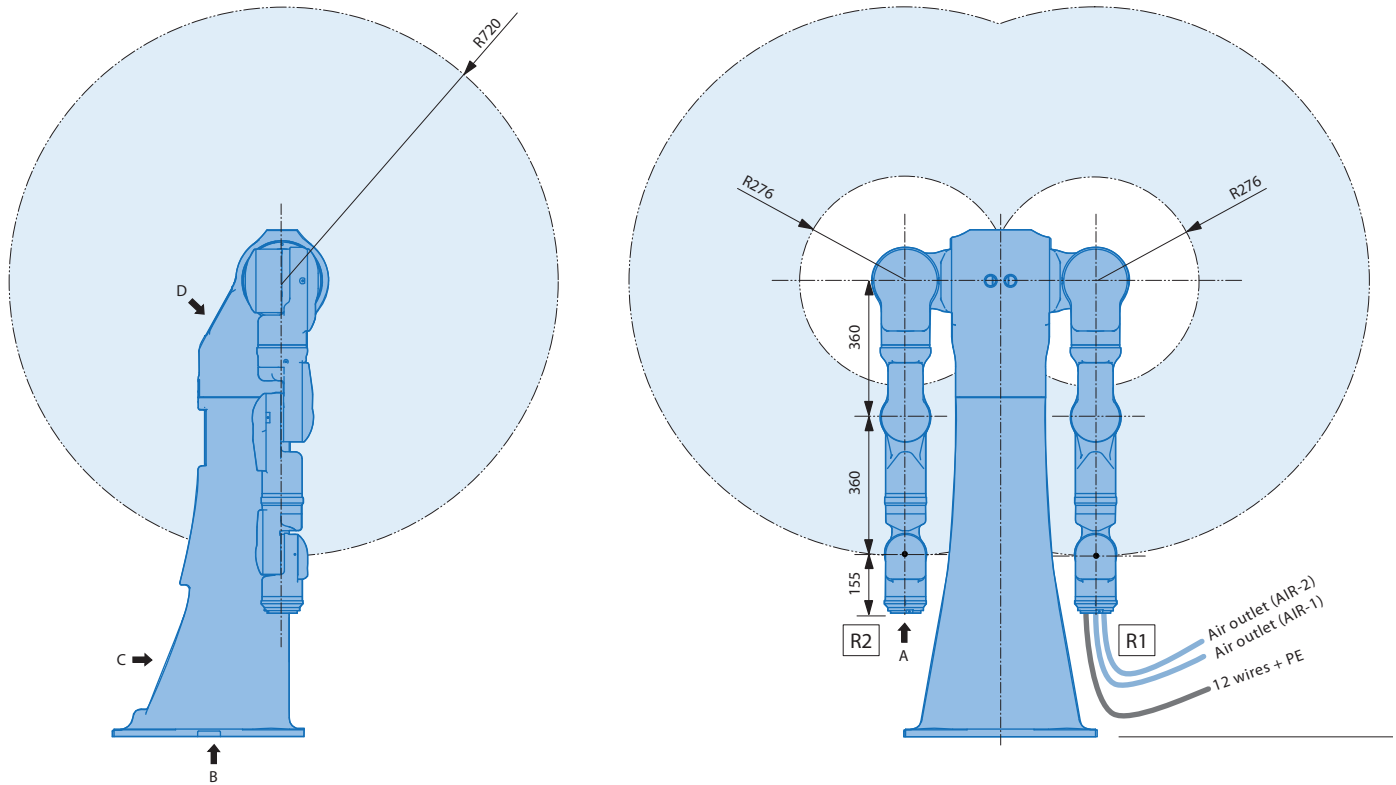


Industrial robot MOTOMAN-SDA10



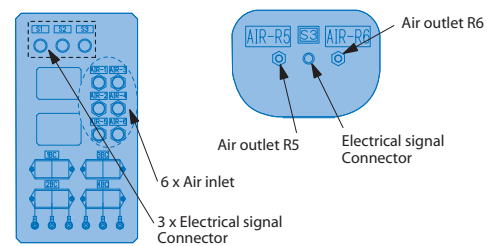
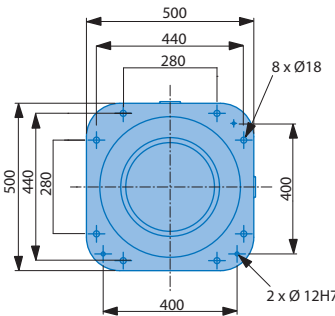
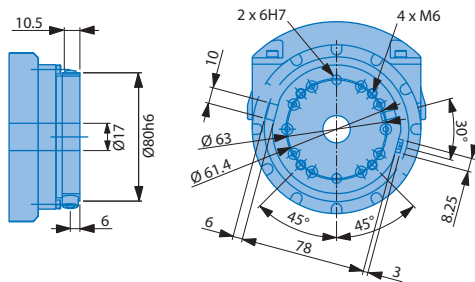


View A

View B

View C

View D



Mounting options: Floor, wall, ceiling

Notice

- These dimensions are for reference purposes only. Please request detailed drawings for all design/engineering requirements, at www.motoman.de.
- All dimensions in mm



Technical data may be subject to change without previous notice, SDA10, A-05-2008

Specifications SDA10

Axes	Maximum motion range [°]	Maximum speed [°/sec.]	Allowable moment [Nm]	Allowable moment of inertia [kg/m ²]	Controlled axes	
Rotation	±170	170	-	-		15
S	±180	170	-	-	Max. payload [kg]	10
L	±110	170	-	-	Repet. pos. accuracy [mm]	±0,1
θ	±170	170	-	-	Max. reach [mm]	R = 970
U	±135	170	-	-	Temperature [°C]	0 to +45
R	±180	200	31,4	1	Humidity [%]	20 – 80
B	±110	200	31,4	1	Weight [kg]	220
T	±180	400	19,6	0,4	Power supply, average [KVA]	4,2